

For reference only. See data sheet for the detailed specifications.

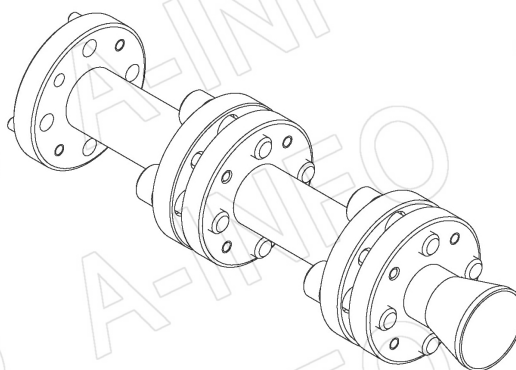
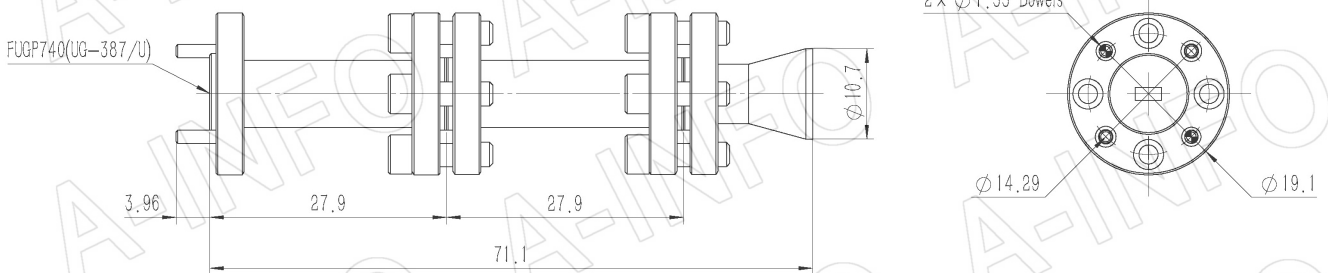
## Technical Specification



Frequency Range(GHz)	71.0 - 86.0
Waveguide	WR12
Gain(dBic)	15 Typ.
Polarization	RHCP
Axial Ratio(dB)	2.0 Typ.
	3.0 Max.
3dB Beamwidth(deg)	E Plane: 28 Typ.
	H Plane: 29 Typ.
VSWR	A Type: 1.10:1 Max.
	C Type: 1.80:1 Max.
Output	A Type: FUGP740(UG-387/U)
	C Type: 1.0mm-Female
Material	Cu
Finish	Gold Plated
Size(mm)	A Type: 19.1 x 19.1 x 71.1
	C Type: 19.1 x 25 x 96.5
Net Weight(Kg)	A Type: 0.07 Around
	C Type: 0.09 Around

## Outline Drawing (Size: mm)

FUGP740 Output (P/N: LB-CNH-12WC13-15-R16c-A)



**AINFO Inc.**

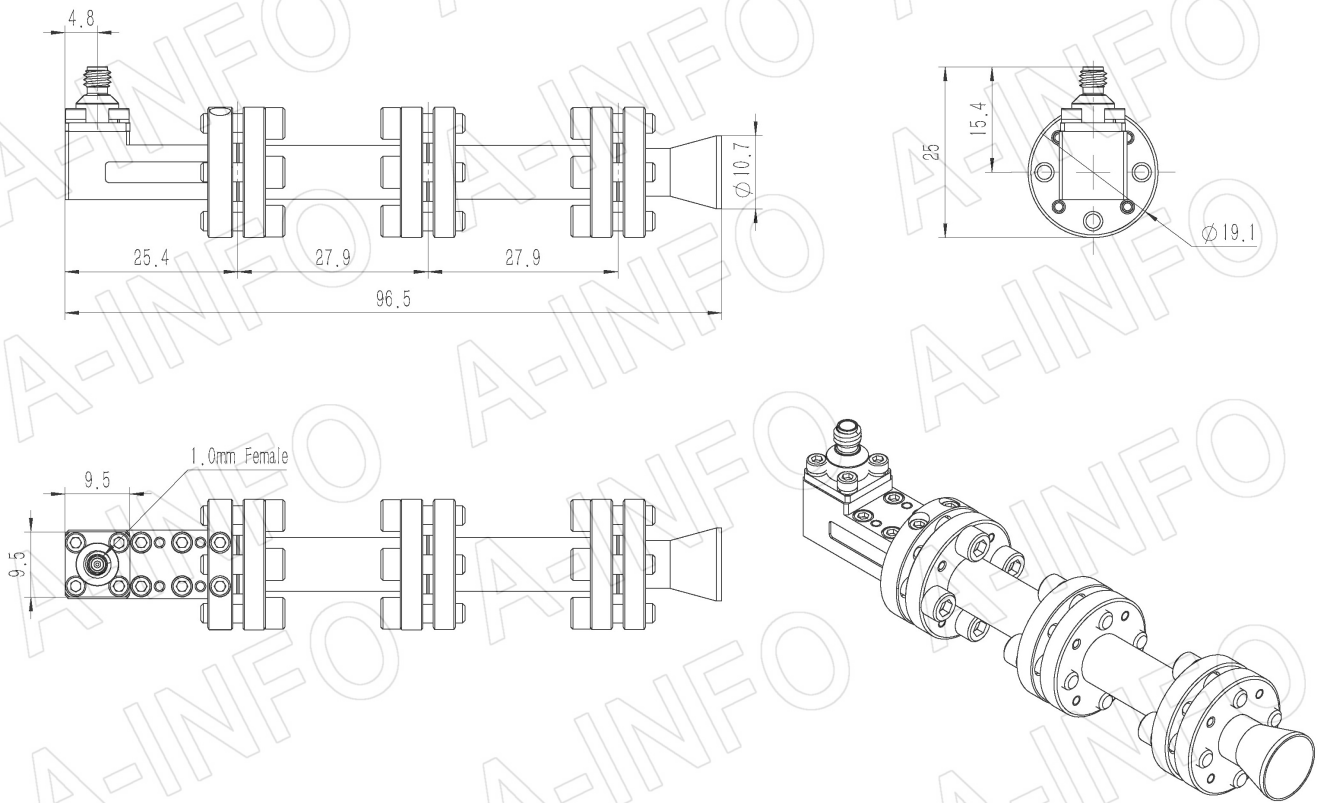
China(Beijing): Tel: (+86) 10-6266-7326,  
China(Chengdu): Tel: (+86) 28-8519-2786,  
USA: Tel: (+1) 949-639-9688,

Page 1 of 10

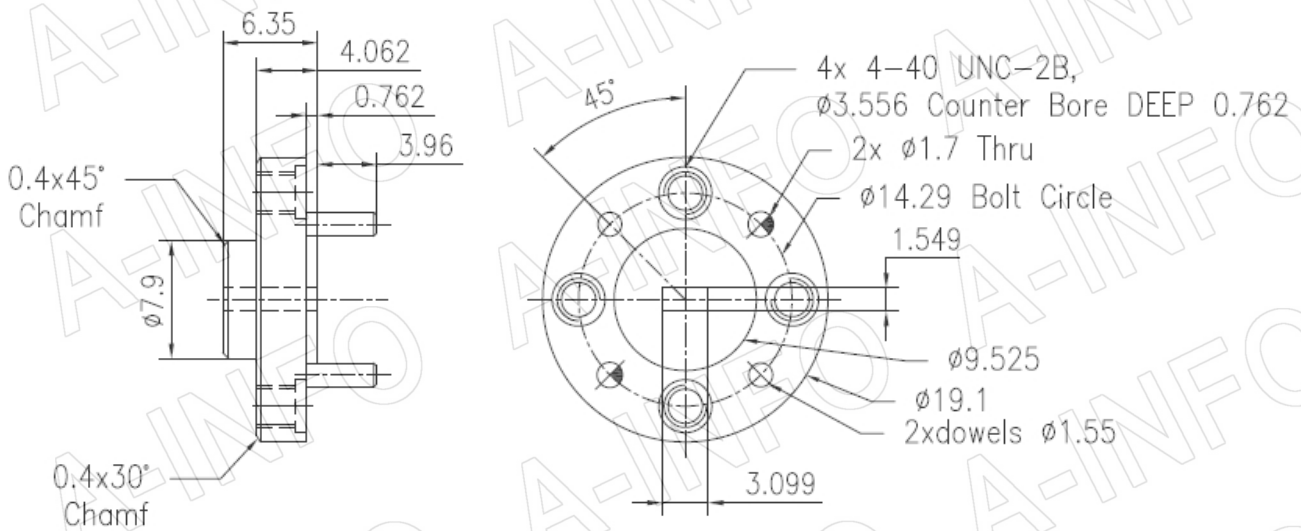
(+86) 10-6266-7327 Fax: (+86) 10-6266-7379  
(+86) 28-8519-3044 Fax: (+86) 28-8519-3068  
(+1) 949-639-9608 Fax: (+1) 949-639-9670

Website: [www.ainfoinc.com](http://www.ainfoinc.com)  
Email: [sales@ainfoinc.com](mailto:sales@ainfoinc.com)

1.0mm-Female Output (P/N: LB-CNH-12WC13-15-R16c-C-1.0F)



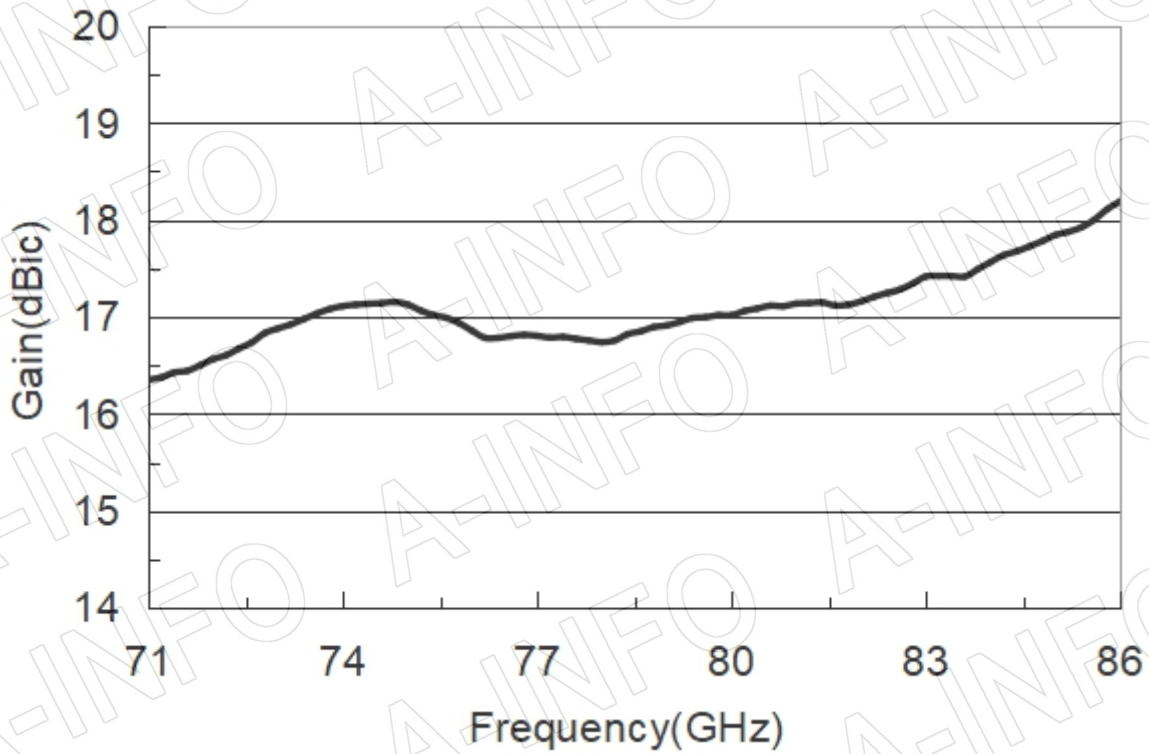
Flange Drawing (Size: mm)



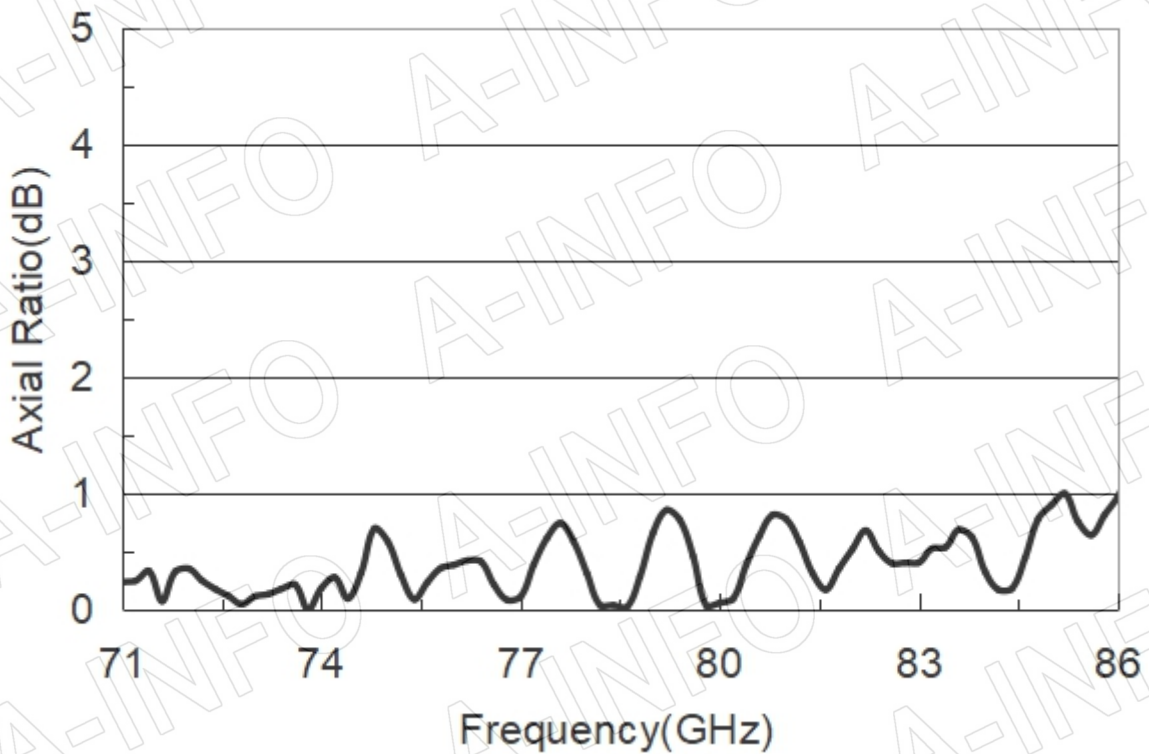
FUGP740  
(equivalent to UG-387/U)

## Test Results

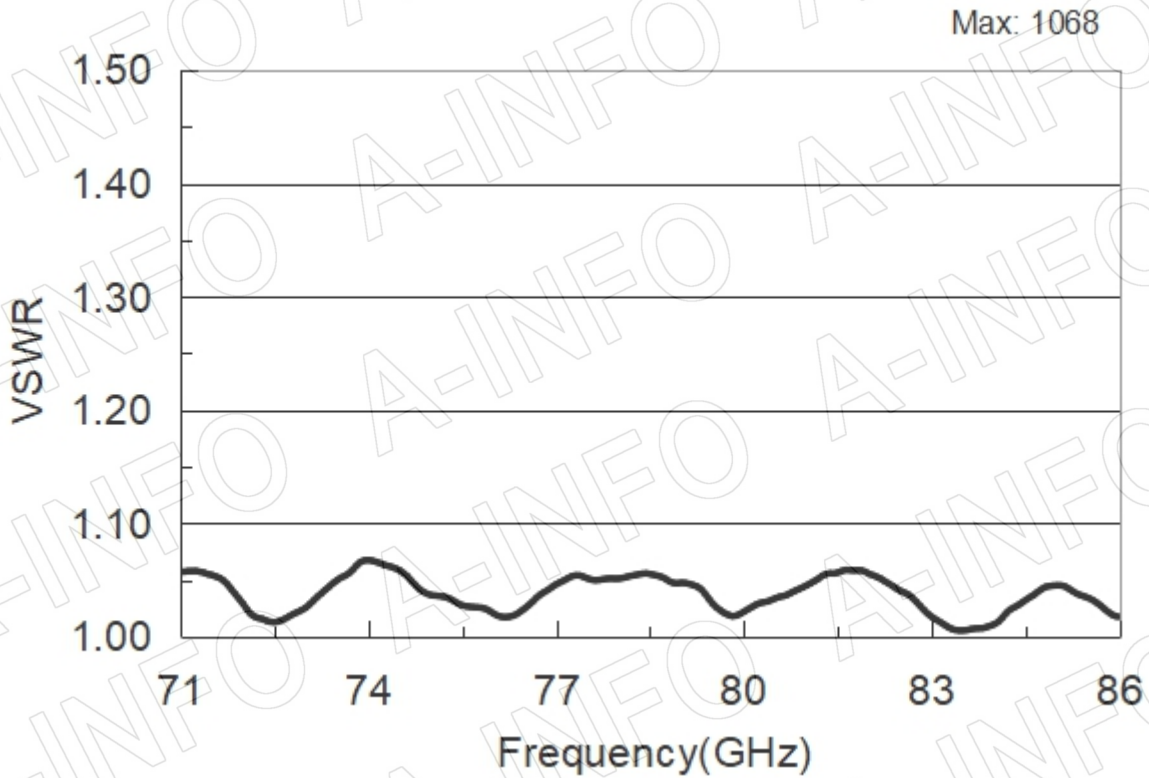
### 1. Gain



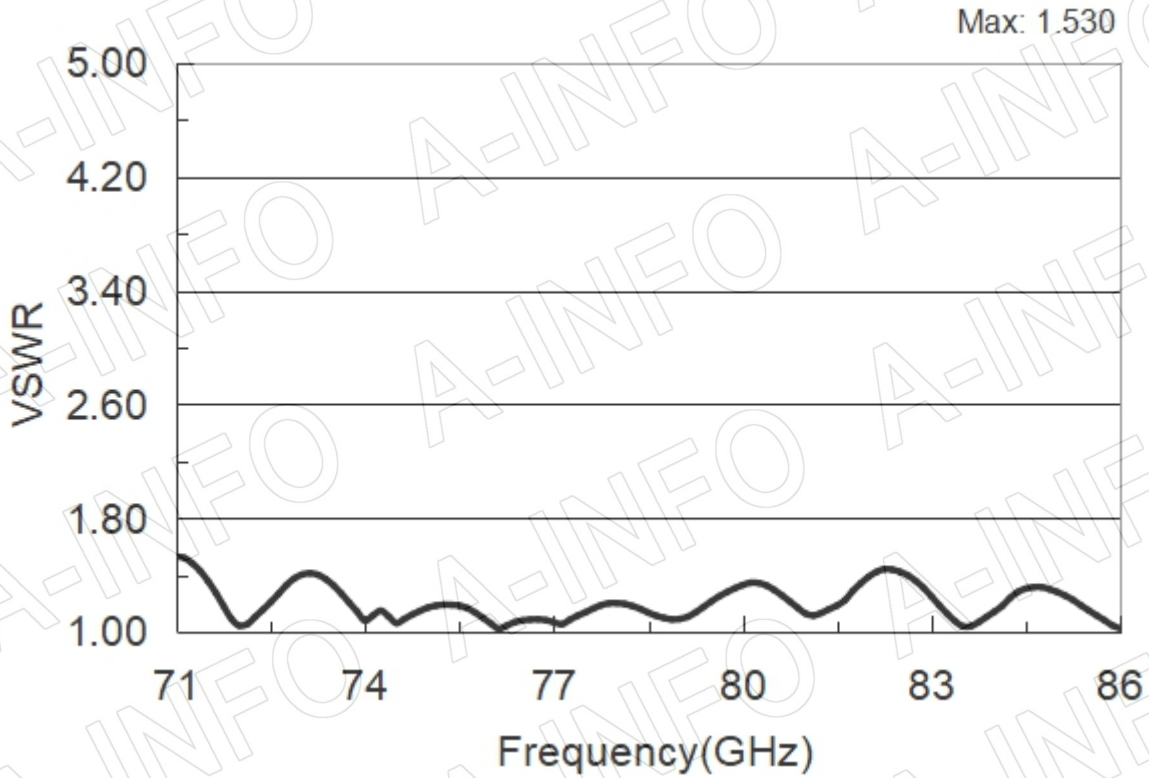
### 2. Axial Ratio



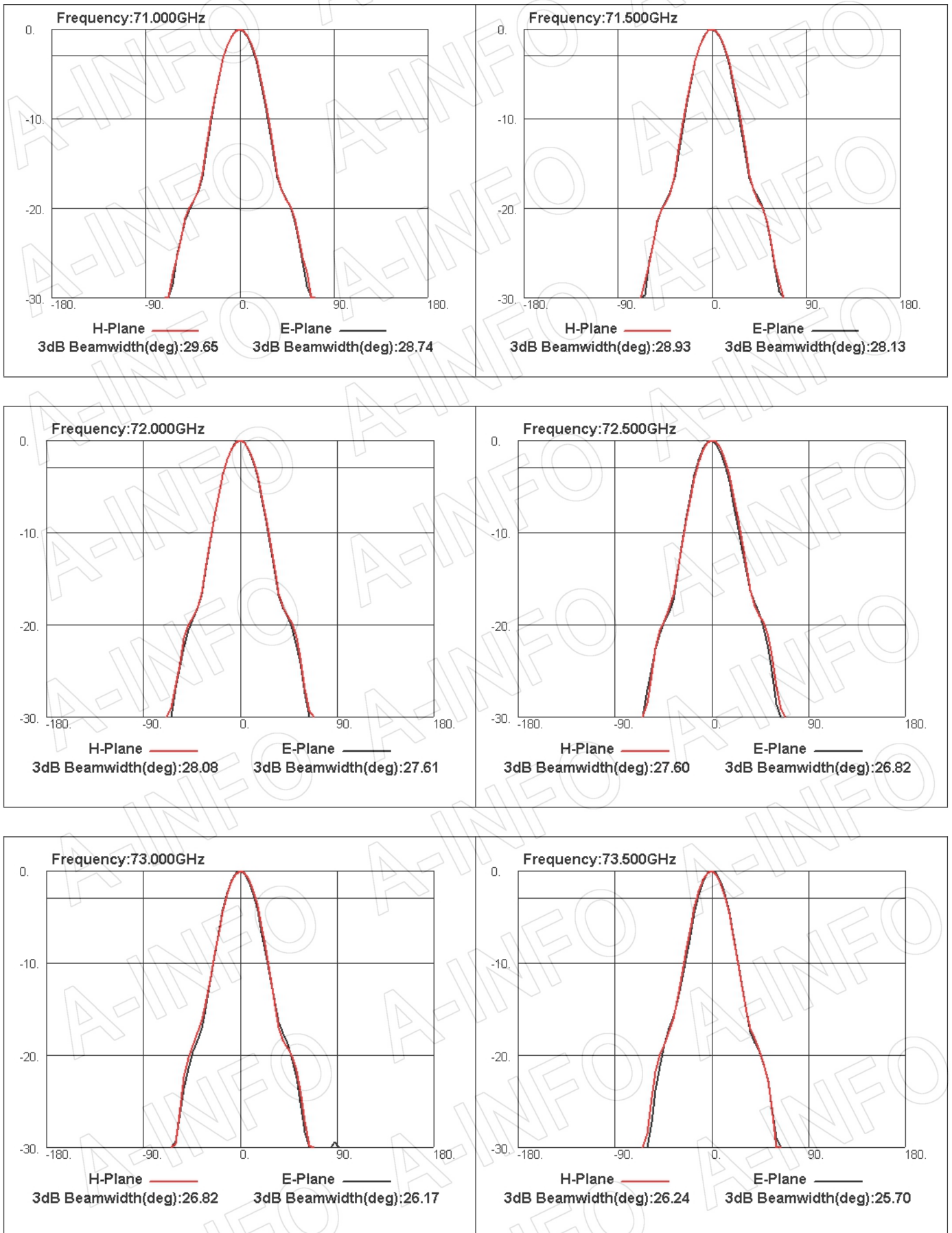
### 3. VSWR\_A Type



### VSWR\_C Type



## 4. Pattern



**AINFO Inc.**

China(Beijing): Tel: (+86) 10-6266-7326,  
China(Chengdu): Tel: (+86) 28-8519-2786,  
USA: Tel: (+1) 949-639-9688,

Page 5 of 10

(+86) 10-6266-7327  
(+86) 28-8519-3044  
(+1) 949-639-9608

Fax: (+86) 10-6266-7379  
Fax: (+86) 28-8519-3068  
Fax: (+1) 949-639-9670

Website: [www.ainfoinc.com](http://www.ainfoinc.com)  
Email: [sales@ainfoinc.com](mailto:sales@ainfoinc.com)

